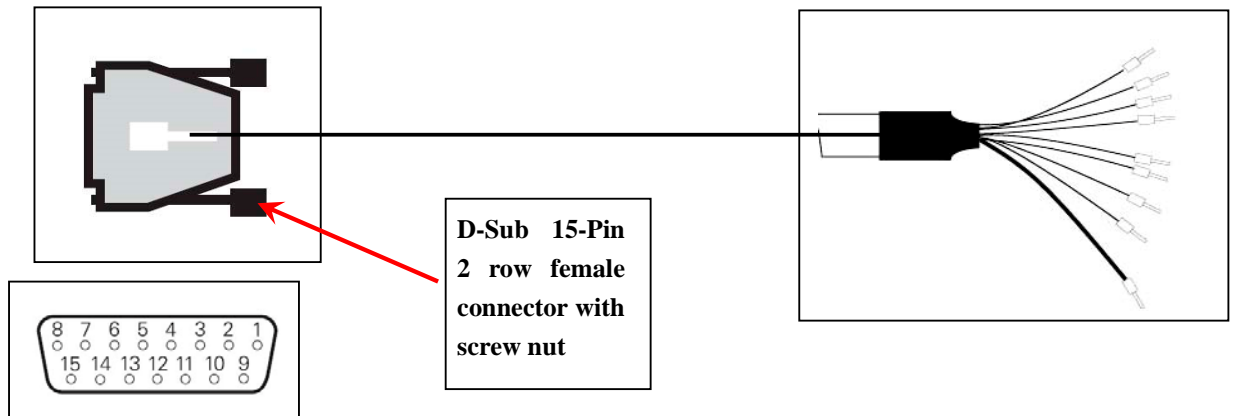


ECN413 Encoder Extension Cables for YAS/Magnetek

Drive

12/11/2015

- Part Number: EC-YAS-10M/15M/20M/25M/37M/50M/60M
- Color code and labels



Encoder cable end (D-sub connector)	Cable color	Drive terminal and label	cable connecting method
J1-1	green	A+	twisted
J1-9	brown	A-	twisted
J1-3	blue	B+	twisted
J1-11	yellow	B-	twisted
J1-5	gray	DATA+	twisted
J1-13	silver	DATA-	twisted
J1-8	purple	CLOCK+	twisted
J1-15	white	CLOCK-	twisted
J1-4	orange	+5V	twisted
J1-2	orange/ white	GND	twisted
J1-12	red	+5V sensor	twisted
J1-10	black	0V sensor	twisted
Shield	Big yellow	Shield/ No label	shield