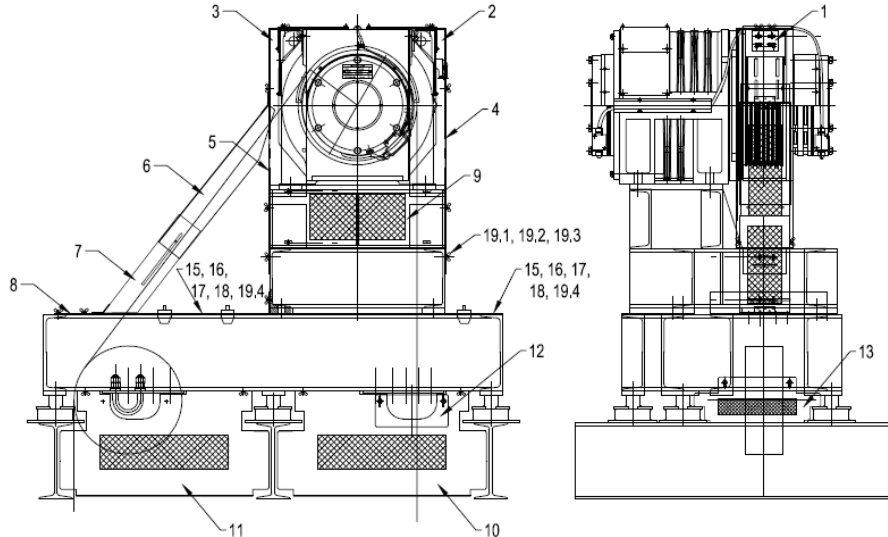


## TMGL Standard Long Rope Guard Installation SRG-TMGL-Long (V1)

### Parts List



Bill of Material

#	Part	Description	Qty.
1	SRG-TMGL-001	TMGL L Bracket	2
2	SRG-TMGL-002	TMGL Sheave Cover-Right	1
3	SRG-TMGL-003	TMGL Sheave Cover-Left	1
4	SRG-TMGL-004	TMGL Car Side Mesh Cover	1
5	SRG-TMGL-005	TMGL Deflector Side Sheave Cover	1
6	SRG-TMGL-006	TMGL Deflector Side Upper Rope Guard	1
7	SRG-TMGL-007	TMGL Deflector Side Lower Rope Guard	1
8	SRG-TMGL-008	TMGL Deflector Side Connecting Plate	1
9	SRG-TMGL-009	TMGL Front Mesh Cover	1
10	SRG-SBLT-Long-001	Deflector Sheave Guard for SBLT-Long-TGD/TMGL-Right	1
11	SRG-SBLT-Long-002	Deflector Sheave Guard for SBLT-Long-TGD/TMGL-Left	1
12	SRG-SBLT-Long-003	Deflector Hole Cover for SBLT-Long-TGD/TMGL	1
13	SRG-SBLT-004	Bedplate Side Guard for SBLT-Long-TGD/TMGL and SBLT-Short-TGD	2
14	SRG-SBLT-Long-005	Bedplate Back Guard for SBLT--Long-TGD/TMGL	2
15	SRG-SBLT-Cover-001	Bedplate Top Cover 1 for SBLT-Long-TGD/TMGL	1
16	SRG-SBLT-Cover-002	Bedplate Top Cover 2 for SBLT-Long-TGD/TMGL	1
17	SRG-SBLT-Cover-003	Bedplate Top Cover 3 for SBLT-Long-TGD/TMGL	1
18	SRG-SBLT-Cover-004	Bedplate Top Cover 4 for SBLT-Long-TGD/TMGL	1
19	SRG-HWD-TMGL	Hardware kit for TMGL Rope Guard	1
		19.1 Wing Bolts M6x16	48
		19.2 Lock Washer Ø6	48
		19.3 Flat Washer Ø6	48
		19.4 Beam Clamp	8

**Step 1:** Install L Brackets [#1] to the rope retainers using (2) wing bolts, flat washers, and lock washers. See Figure 1.

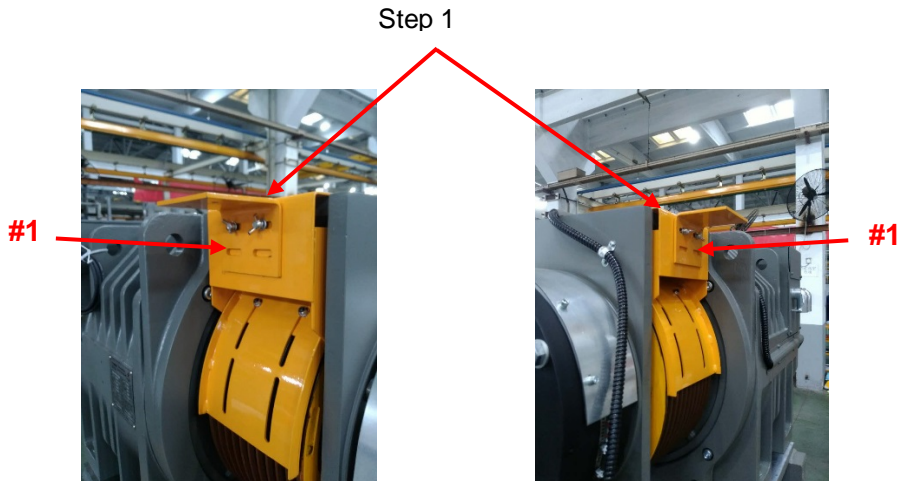


Figure 1 Install L Brackets

**Step 2:** Install Sheave Cover Left [#3] and Right [#2] to the L Brackets and the bedplate riser using (4) each wing bolts, flat washers, and lock washers. See Figure 2.

**Step 3:** Install the Front Mesh Cover [#9] to the Sheave Covers using (4) wing bolts, flat washers, and lock washers. Then install the Car Side Mesh Cover [#4] to the Sheave Cover using (4) wing bolts, flat washers, and lock washers. See Figure 2.

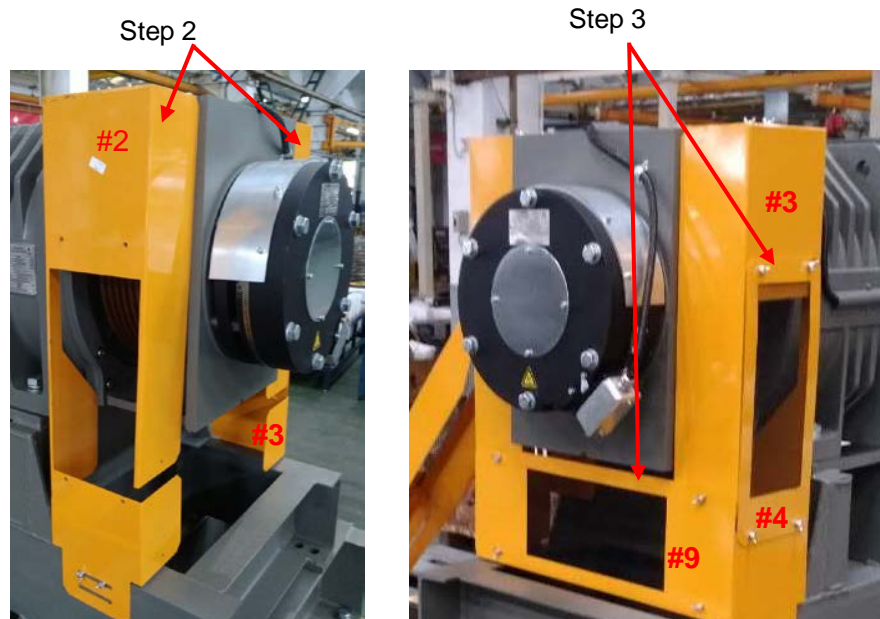


Figure 2 Install Sheave Covers and Mesh Covers

**Step 4:** Install the Deflector Side Sheave Cover [#5] to the Sheave Cover using (2) wing bolts, flat washers, and lock washers. See Figure 3.

**Step 5:** Install the Deflector Side Rope Upper Guard [#6] to the Sheave Cover. Then install the Deflector Side Connecting Plate [#8] to the bedplate and the Deflector Side Lower Rope Guard [#7] to the Deflector Side Upper Rope Guard [#6] and the Connecting Plate. Finally, install the Bedplate Top Covers 1-4 [#15-18] using wing bolts, flat washers, lock washers, and beam clamps. See Figure 3. **Note: Install the Top Covers as needed to cover the opening between support channels.**

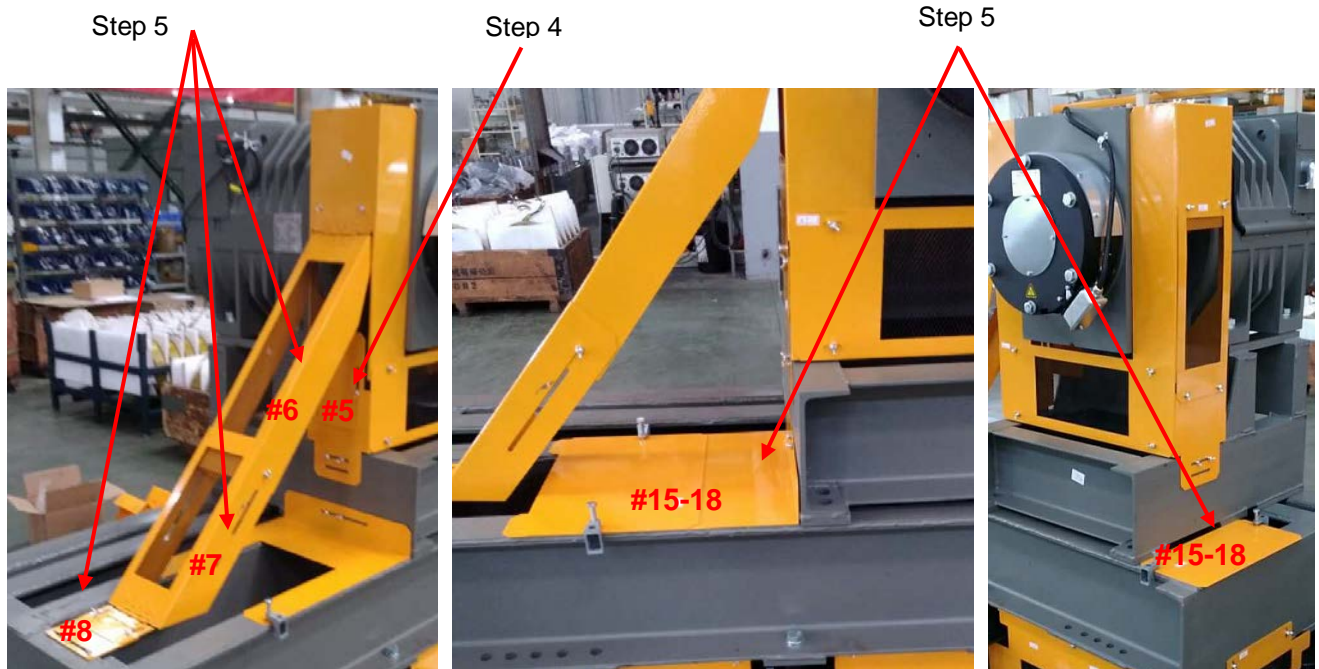


Figure 3 Install Deflector Side Sheave Cover, Upper and Lower Rope Guards and Bedplate Covers

**Step 6:** Install Deflector Sheave Guard Right [#10], Deflector Sheave Guard Left [#11], (2) Bedplate Back Guards [#14] (not shown) and (2) Bedplate Side Guards [#13] to the bedplate using (2) each wing bolts, lock washers, and flat washers. See Figure 4.

**Step 7:** Install Deflector Hole Cover [#12] to the appropriate Deflector Sheave Guard using (2) wing bolts, lock washers, and flat washers.

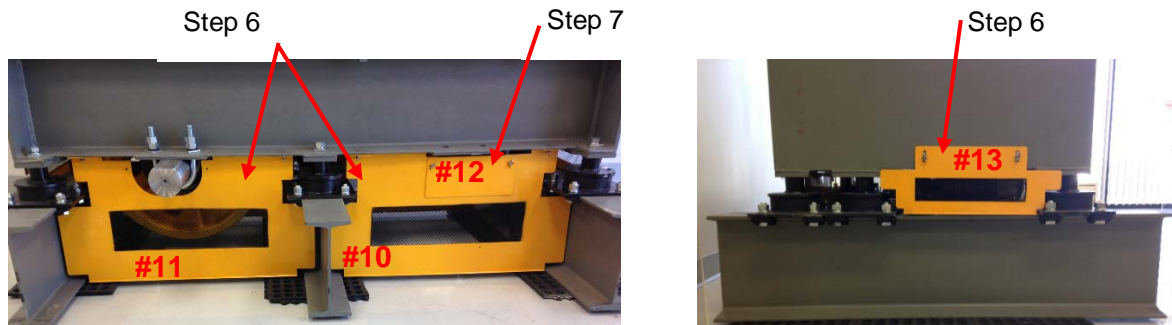


Figure 4 Install Deflector Guards