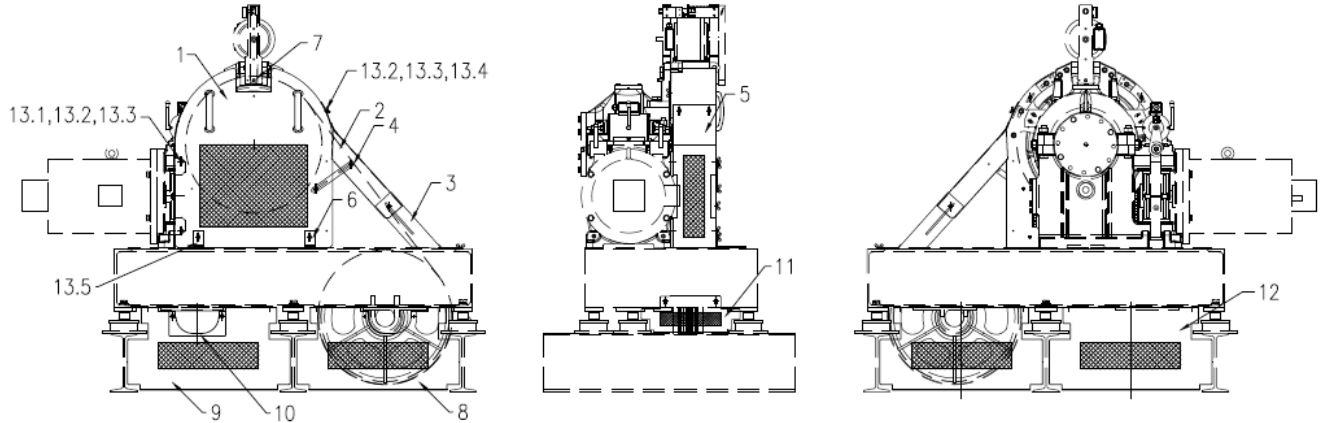


### TGD1 Standard Long Rope Guard Installation

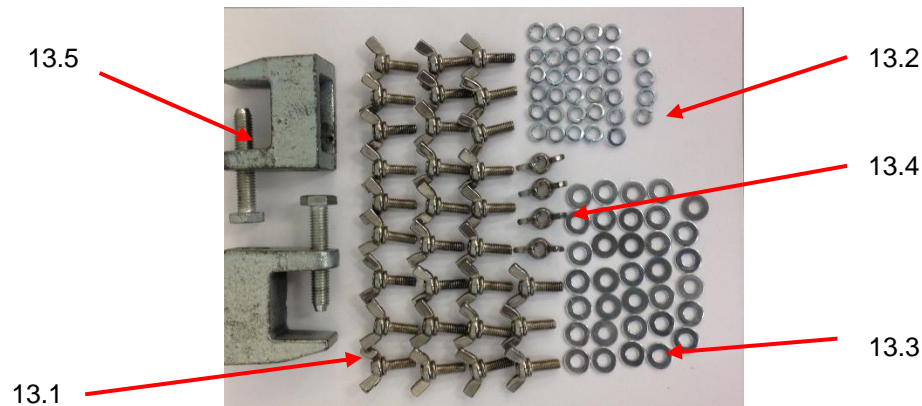
SRG30-TGD1-Long (V3)

#### Parts List



#### Bill Of Material

#	Part	Description	Qty.
1	SRG-TGD1-001	TGD1 Main Sheave Guard	1
2	SRG-TGD1-002	TGD1 Deflector Side Upper Rope Guard	1
3	SRG-TGD1-Long-001	TGD1 Deflector Side Lower Rope Guard	1
4	SRG-TGD-001	TGD Rope Guard Support Plate	1
5	SRG-TGD1-003	TGD1 Car Side Rope Guard	1
6	SRG-TGD1-004	TGD1 Rope Guard L Bracket	2
7	SRG-TGD1-005	TGD1 Sheave Brake Cover	1
8	SRG-SBLT-Long-001	Deflector Sheave Guard for SBLT-Long-TGD/TMGL-Right	1
9	SRG-SBLT-Long-002	Deflector Sheave Guard for SBLT-Long-TGD/TMGL-Left	1
10	SRG-SBLT-Long-003	Deflector hole cover for SBLT-Long-TGD/TMGL	1
11	SRG-SBLT-001	Bedplate Side Guard for SBLT-Long-TGD/TMGL and SBLT-Short-TGD	2
12	SRG-TDG1-Long-004	Bedplate Back Guard for SBLT-Long-TGD/TMGL	2
13	SRG-HDW-TGD	Hardware kit for TGD1/TGD2 rope guard	1
		13.1 Wing Bolts M6X16	30
		13.2 Lock Washer Ø6	34
		13.3 Flat Washer Ø6	34
		13.4 Wing Nut M6	4
		13.5 Beam Clamp	2



## Assembly Instructions

**Step 1:** Install Main Sheave Guard [#1] to Rope Retainer using (2) wing bolts, lock washers, and flat washers. See Figures 1 and 2.

**Step 2:** If applicable, Install Sheave Brake Cover [#7] to Rope Retainer and Main Sheave Guard [#1] using (3) wing bolts, lock washers, and flat washers. See Figures 2 and 3.



Figure 1 - Install Main Guard

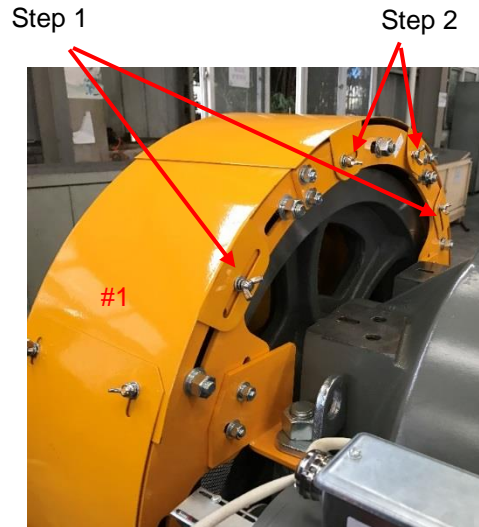


Figure 2 - Install Main Guard & Sheave Brake Cover



Figure 3 - Install Sheave Brake Cover

**Step 3:** Install Car Side Rope Guard [#5] to Main Sheave Guard using (2) wing nuts and wing bolts, (4) lock washers, and flat washers. See Figure 4.

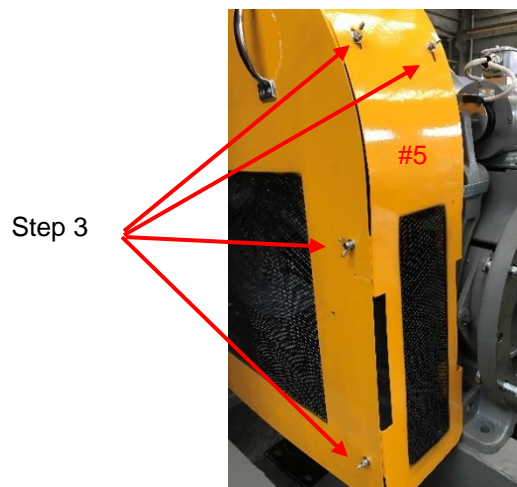


Figure 4 - Install Car Side Rope Guard

**Step 4:** Install Deflector Side Upper Rope Guard [#2] to Main Sheave Guard [#1] using (2) wing nuts, flat washers, and lock washers. Then attach Deflector Side Lower Rope Guard [#3] to Deflector Side Upper Rope Guard [#2] and Bedplate using (4) wing bolts, lock washers, and flat washers. See Figure 5.

**Step 5:** Install “L” Brackets [#6] to Main Sheave Guard [#1] and bedplate using (2) wing bolts, flat washers, lock washers, and beam clamps. Then attach the Support Plate [#4] to the Main Sheave Guard [#1] and the Deflector Side Upper Rope Guard [#2] using (2) wing bolts, lock washers, and flat washers. See Figure 6.



Figure 5 - Install Deflector Rope Guard

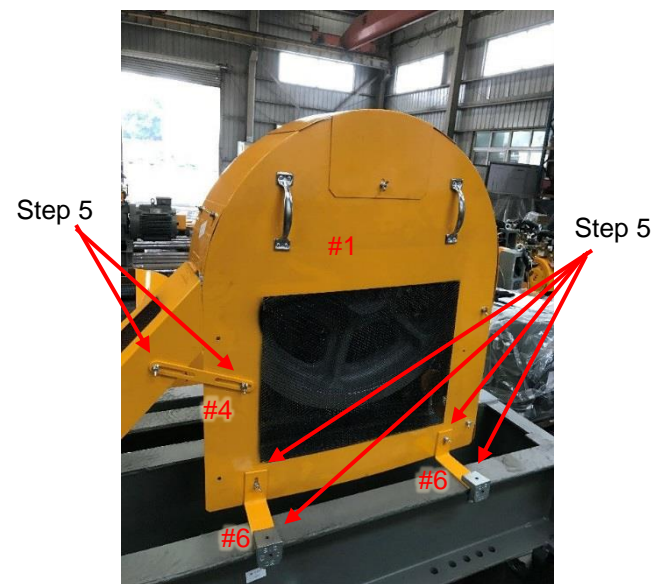


Figure 6 - Install Brackets & Support Plate

**Step 6:** Install Deflector Sheave Guard Right [#8], Deflector Sheave Guard Left [#9], (2) Bedplate Back Guards [#12] (not shown) and (2) Bedplate Side Guards [#11] to the bedplate using (2) each wing bolts, lock washers, and flat washers. See Figure 7.

**Step 7:** Install Deflector Hole Cover [#10] to the appropriate Deflector Sheave Guard using (2) wing bolts, lock washers, and flat washers.

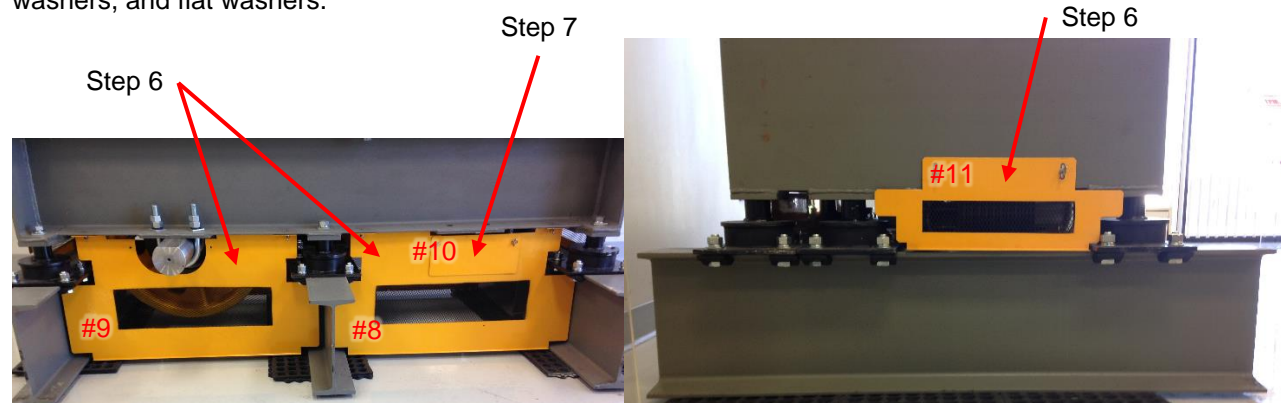


Figure 7 – Install Deflector Guards